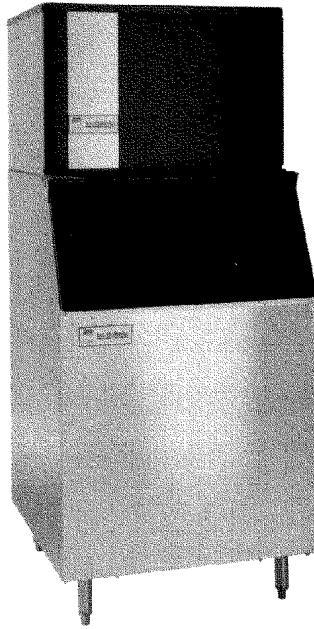


ICE 600 Series Cube Ice Maker

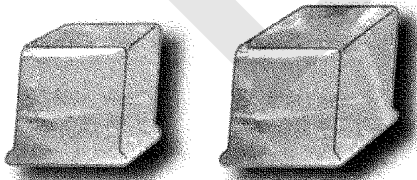


ICE 600 shown on model B-55 Bin

ICE 600

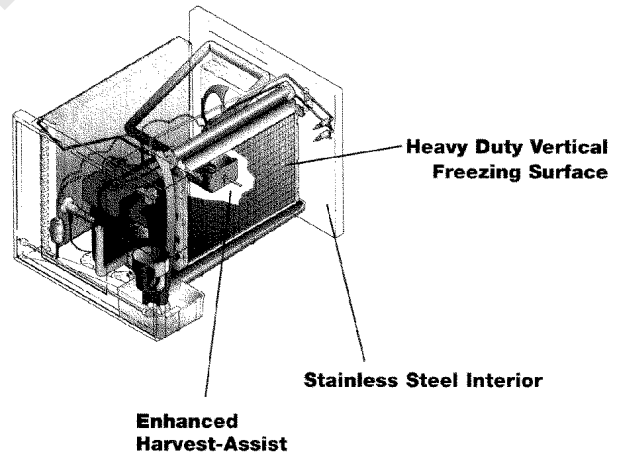
Produces up to 727 lbs. (330 Kgs.)* of ice per day.

- Constructed from sturdy, corrosion-proof 304 stainless steel—inside and out.
- Most advanced “Harvest Assist” system gets ice to the bin quicker. It conserves energy and increases compressor life.
- Easy to service and install. The ICE Series™ machines have electro-mechanical controls.
- Works on all standard industry dispensers and bins.
- Environmentally responsible. All ICE Series™ machines use R-404A, an approved, non-ozone depleting refrigerant.
- Proven “classic cube” shape. Half cube and Full cube systems available.
- Available with an air-, water- or remote-cooled condenser. ICE 606 air-cooled model is available with side or top discharge.



Half Cube 7/8" x 7/8" x 3/8"
(22mm x 22mm x 10mm) Full Cube 7/8" x 7/8" x 7/8"
(22mm x 22mm x 22mm)

Not shown actual size



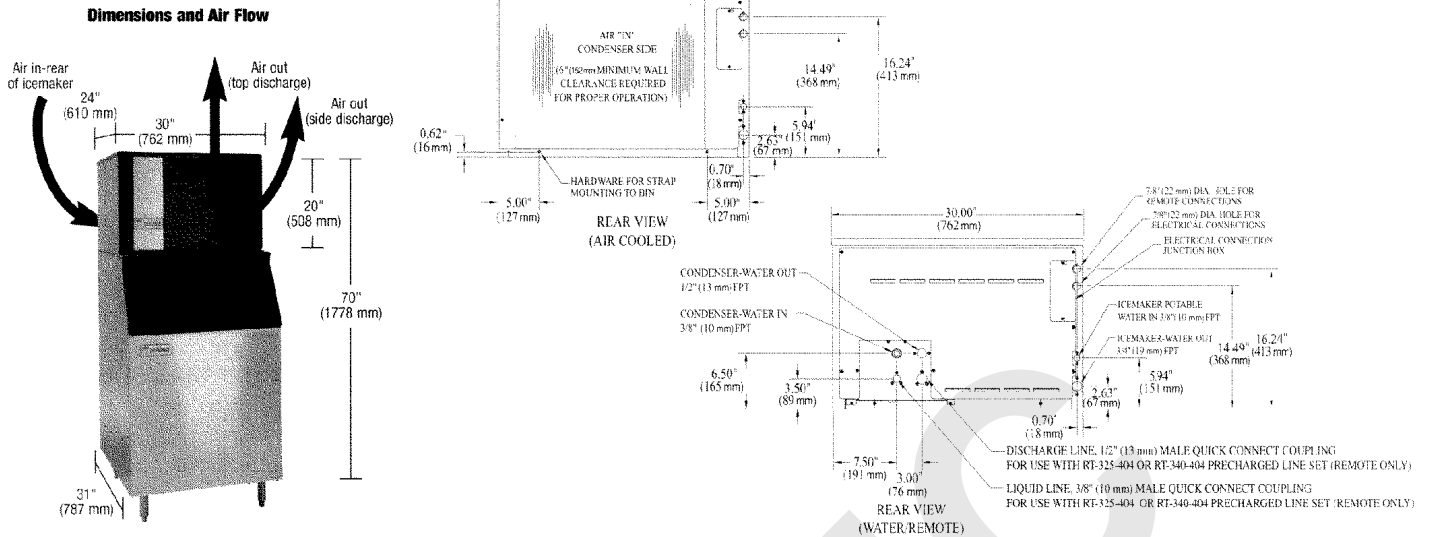
Ice-O-Matic®

A WELBILT Company



*Tested at 70° Air/50° Water

ICE 600 Series Cube Ice Maker



ICE PRODUCTION CHART POUNDS (KILOGRAMS) PER 24 HOURS								
ICE 606				ICE 605				
Conds. Unit	Air Temp. °F (°C)	Water Temp. °F (°C)			Air Temp. °F (°C)	Water Temp. °F (°C)		
		80°(27°)	70°(21°)	50°(10°)		80°(27°)	70°(21°)	50°(10°)
Air Cooled	90° (32°)	488 (222)	525 (239)	597 (272)	90° (32°)	433 (197)	466 (212)	528 (240)
	80° (27°)	551 (250)	592 (269)	652 (296)	80° (27°)	486 (221)	523 (238)	575 (261)
	70° (21°)	597 (271)	642 (292)	706 (321)	70° (21°)	526 (239)	565 (257)	622 (283)
Water Cooled	90° (32°)	549 (249)	590 (268)	613 (279)	90° (32°)	437 (199)	470 (214)	504 (229)
	80° (27°)	532 (242)	573 (260)	630 (286)	80° (27°)	448 (203)	481 (219)	530 (241)
	70° (21°)	547 (249)	588 (267)	647 (294)	70° (21°)	469 (213)	504 (229)	555 (252)
Remote Cooled	90° (32°)	506 (230)	544 (247)	617 (281)	90° (32°)	395 (180)	425 (193)	485 (221)
	80° (27°)	568 (258)	611 (278)	672 (306)	80° (27°)	449 (204)	482 (219)	531 (241)
	70° (21°)	615 (279)	661 (300)	727 (330)	70° (21°)	487 (221)	524 (238)	576 (262)
	50° (10°)			742 (337)	50° (10°)			588 (267)
	30° (-1°)			756 (344)	30° (-1°)			599 (272)
	0° (-18°)			771 (351)	0° (-18°)			611 (278)

OPERATING LIMITS	
Ambient Temp. Range	50° - 110°F (10° - 43°C)
Air & Water Remote	-20° - 110°F (-29° - 43°C)
Water Temp. Range	40° - 100°F (4.5° - 38°C)
Water Pressure Ice Maker	Min. 20 psi (1.4 bar)
Water in	Max. 60 psi (6.9 bar)
Condenser Inlet Water (Water cooled only)	Min. 20 psi (1.4 bar) Max. 60 psi (6.9 bar)

- 90°/70° figures are rated in accordance with ARI Standard 810. All remaining points are mathematical estimates.
- All specifications and performance data are subject to normal manufacturing variances.

ORDERING AND SPECIFICATION INFORMATION

Model No.	Cond. Unit	Ice Production per 24 hrs. at 70° Air/50° Water lbs. (Kgs.)	Ice Production per 24 hrs. at 90° Air/70° Water lbs. (Kgs.)	Water Used-Gals. (Lits.) per 100 lbs. of Ice		Kilowatts Used per 100 lbs. of Ice	Btuh	Voltage Characteristics	No. of Wires	Min. Circuit Amp.	Max. Fuse Size	Shipping Weight lbs. (Kgs.)
				Ice Prod. Use	Cond. Use							
ICE0606♣A	Air	706 (321)	525 (239)	23.5 (89)	n/a	6.5	11538	208-230/60/1	3	12.4	15	175 (80)
ICE0606♣W	Water	647 (294)	590 (268)	27.4 (104)	196.9 (745)	5.1	11473	208-230/60/1	3	9.5	15	170 (77)
ICE0606♣R	Remote	727 (330)	544 (247)	21.6 (82)	n/a	6.8	12269	208-230/60/1	3	13.0	15	170 (77)
ICE0605♣A	Air	622 (283)	466 (212)	21.9 (83)	n/a	6.5	10284	230/50/1	3	8.8	15	175 (80)
ICE0605♣W	Water	555 (252)	470 (214)	27.2 (103)	126.1 (477)	6.0	9909	230/50/1	3	6.8	15	175 (80)
ICE0605♣R	Remote	576 (262)	425 (193)	25.1 (95)	n/a	8.2	10708	230/50/1	3	9.9	15	170 (77)
ERC-1062	Remote Condenser for 1 or 2 model ICE 600R (208-230/50-60/1 voltage)											95 (43)
RT-325-404	25 ft. (7.6m) Precharged Tubing Kit for R-404A models											13 (6)
RT-340-404	40 ft. (12m) Precharged Tubing Kit for R-404A models											18 (8)

See Bin specification sheet for information on ice storage bins

♣ represents cube size. For full cube substitute an "F", for half cube substitute an "H".
 Top discharge is available on ICE 606 air-cooled model, just substitute a "T" for the "A" in the model number.
 Please note: air-cooled units require 6" (152 mm) clearance for air intake and exhaust.

We reserve the right to make changes in design and construction at any time without obligation.
 ©Mile High Equipment Company
 ICE6000-1099