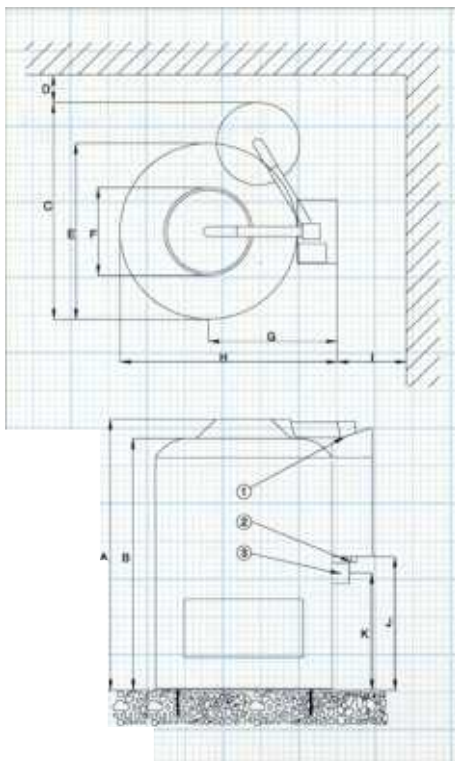


Primus

**Industrial
Hydro-Extractors**





PRIMUS HYDRO EXTRACTORS: THE PRIMUS RANGE OF HYDRO EXTRACTORS ARE THE RIGHT MACHINES FOR PROFESSIONAL USE

The HE 239 and HE 259 have flexible basket suspension which reduces noise and vibration to a minimum.

HEM 239, HEM 259, HEM 289 have fixed basket suspension.

They are, therefore, ideally suited for use on ships and drilling platforms or in those situations where the linen is in a saturated state. The basket remains stable regardless of conditions inside or outside the machine.

EASY, SAFE OPERATION

All Primus extractors have a "swing away" lid for easy filling.

The extractor cannot be started until the lid has been swung over and pressed into the recess of the top. The lid of the extractor cannot be opened until the basket has come to a complete stand-still.

This eliminates accidents and vandalism.

BUILT TO LAST

The full casing and drum are built with high quality stainless steel.

A thermal protector protects the motor against overload.

1. Operation keys
2. Electrical connection
3. Drain

DIMENSIONS IN MM

Type	HE 239	HEM 239	HE 259	HEM 259	HEM 289
A	850	910	870	980	1050
B	780	840	800	910	990
C	665	665	790	790	920
D	>100	>100	>100	>100	>100
E	515	515	640	640	770
F	250	250	300	300	370
G	402	402	465	465	525
H	660	660	785	785	910
I	>250	>250	>250	>250	>250
J	340	400	360	480	550
K	320	390	330	420	470

TYPE		HE 239	HEM 239	HE 259	HEM 259	HEM 289
CAPACITY	kg	8-10	8-10	12-15	12-15	18-20
Capacity drum	l	38	38	58	58	88
BASKET ROTATION						
50 Hz	rpm	1450	1450	1450	1450	1450
60 Hz	rpm	1740	1740	1740	1740	1740
G-FACTOR		440	440	575	575	705
OPERATION						
Manual		+	+	+	+	+
Coins or tokens		+	+	+	+	-
Central control		+	+	+	+	-
SHIPPING DATA						
Net weight	kg	72	83	109	140	190
Gross weight						
Crimpfoiled case	kg	85	98	120	155	208
Wooden case	kg	118	133	162	188	269
Volume						
Crimpfoiled case	m ³	0,48	0,51	0,72	0,88	1,22
Wooden case	m ³	0,54	0,57	0,80	0,96	1,33
+ = Available						
- = Not available						

The PRIMUS Company, reserves the right to change at any time, the specifications given in this leaflet, or to alter its machines, without previous notice. Details and photographs are given by way of information only, and have no binding character whatsoever.